

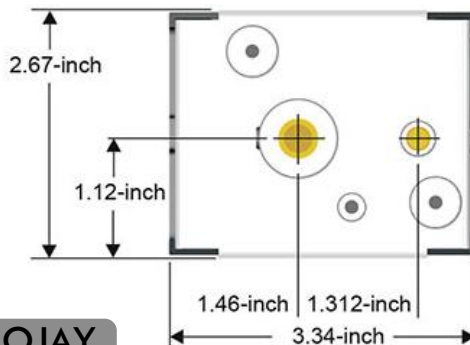
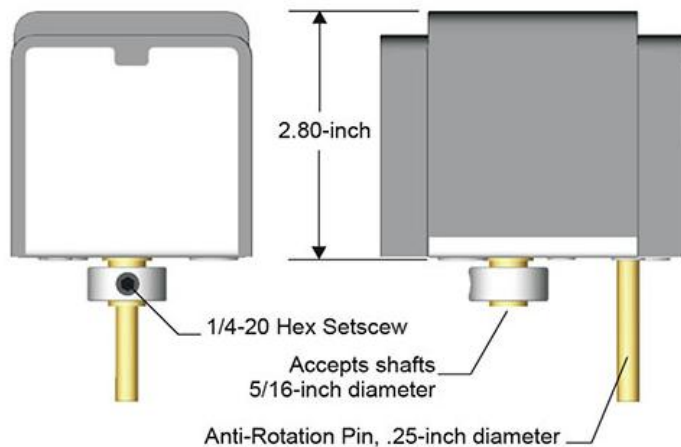
SMARTZONE®

© 2022 ECOJAY LLC
888-523-3265
ECOJAY.COM

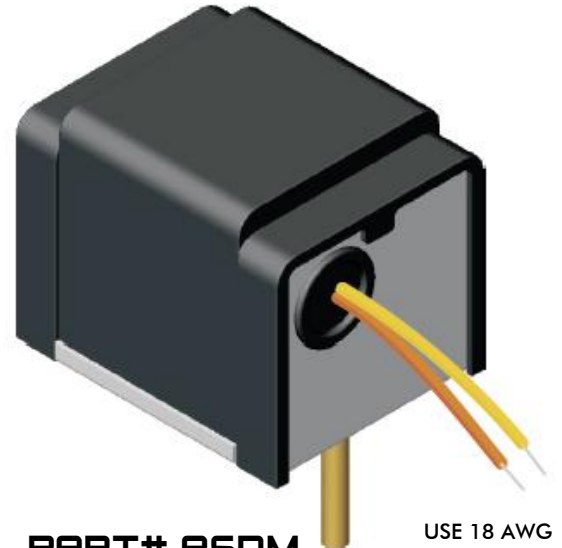
SPRING DAMPER MOTOR

SPRING OPEN /POWER CLOSE MOTORS USE TWO WIRES TO POWER THE DAMPER CLOSED & IT AUTOMATICALLY SPRINGS OPEN WHEN POWER IS REMOVED. ECOJAY'S SPRING ACTUATORS PROVIDE A TOP QUALITY MOTOR AT A BUDGET-DRIVEN PRICE POINT.

- **RELIABLE & QUIET SPRING ACTUATOR**
- **ALL METAL GEARS & CHASSIS**
- **PRECISION CONSTRUCTION & QUALITY PARTS FOR LONG-LIFE & QUIET OPERATION**
- **90 DEG ROTATION**
- **DROP IN REPLACEMENT FOR MANY SPRING DAMPER MOTORS**



ACCESSORY



SPECIFICATIONS

VOLTAGE:	24VAC
POWER:	8 VA
TORQUE:	65 TO 90 IN-OZ (MOTOR) 37 TO 54 IN-OZ (SPRING)
DIRECTION:	(VIEWING FROM TOP OF ACTUATOR) POWER – COUNTER CLOCK WISE SPRING – CLOCK WISE
TRAVEL TIME:	30 SEC (CLOSE) 16 SEC (OPEN)
TRAVEL ANGLE:	93 DEG (FULL OPEN/CLOSE)
ANTI-ROTATION:	1/4" DIAMETER - 1" LENGTH
SHAFT:	5/16" ROUND ALUMINUM
GEARS:	BRASS & STAINLESS STEEL
WIRING:	18 AWG (CLOSE - PC, COM -24VAC COMMON)
MOUNTING:	ANY ORIENTATION, FLEX DUCT, HARD DUCT, SPIRAL DUCT, STARTING COLLAR, ETC
SET SCREW	ALLEN/HEX: 1/4-20

OPTIONAL:

USE THE ROTATION PLATE TO ADJUST THE CLOSE POSITION OF THE MOTOR TO MAINTAIN A MINIMUM OPEN. ADJUST BETWEEN 50% & 100% CLOSED

CONTACT US TO GET THIS OPTIONAL BRACKET KIT.

